

## Universal I/O controller: Pereph BRD 5.0 RS232/USB

### Technical characteristics

15 IN ports (Normal High, sense - LOW)

15 OUT ports (Normal High, Open - LOW)

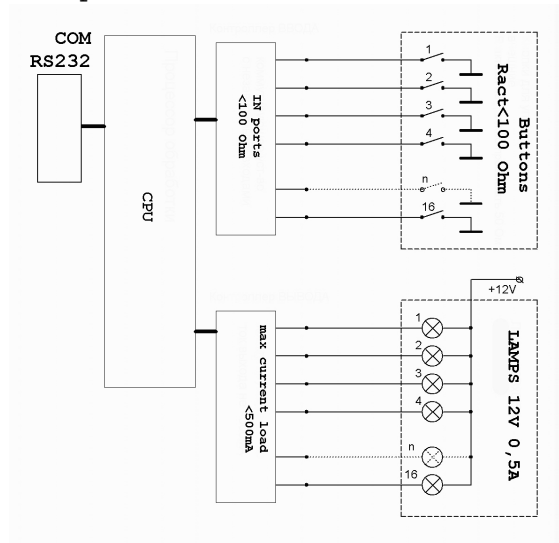
Resistance of shorting for IN ports - 100 Ohm max. Common GND.

Timeouts 50ms min. Controlling both state of IN ports.

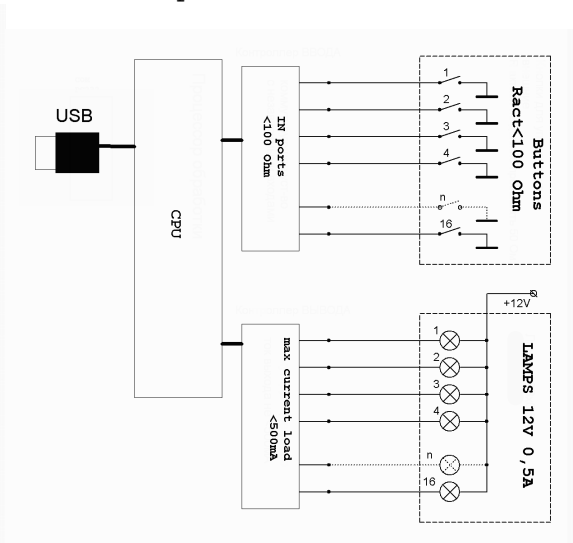
OUT ports power - 6W max. Common 12V. Three way of OUT signal control: open, close and trigger mode (3 times per second).

### Connectors description.

Schematic for RS232 BRD.  
I/O part.



Schematic for USB BRD.  
I/O part.



Appearance of Pereph BRD 5.0

